



Yavapai Signal

The Yavapai Amateur Radio Club – Prescott, Arizona – DM-34 – Volume 34 – No. 2 – February 2019

Upcoming Club Events				
Event	Date	Time	Place	Contact / Info:
General Meeting	TH 02/07/19	1900 MST 7 p.m.	Prescott Rodeo Grounds	Club Website
YARC Breakfast	TH 02/21/19	0800 MST 8 a.m.	BackBurner Restaurant, Prescott Valley	Don WB7TPH or Jeff WB7RFY
General Meeting Programs — See page 4.				
Public Service Event — See page 5.				
License Testing — See pages 5.				

YARC:	Badges	Patches	Shirts
Features:	Name & Call	Club Name & Logo	With or Without Name & Call
Contact Person(s):	Mike Reid N7IEP	Mike Reid N7IEP	Pete Morrison K6VVR
Cost:	\$7.00 each	\$3.00 each	Without Name & Call \$20.00 — With Name & Call \$24.00 each

Club Website Registration
In order to receive the <u>Signal</u> (the club's official newsletter), you must be a member of the club. Make sure your email is correct by logging into our website (www.w7yrc.org), then clicking on the members tab and viewing your profile.

Welcome to the Yavapai Amateur Radio Club

The Yavapai Amateur Radio Club (YARC) is an ARRL affiliate Special Service Club. The club participates in many activities in the quad-city (Prescott, Prescott Valley, Chino Valley, and Dewey-Humboldt) area by providing communications for local events, emergency communications, and promotion of the hobby throughout the community.

Membership in YARC is open to any interested amateur or non-amateur alike. Dues are \$20.00 per year (full-time students \$15). YARC general meetings are at 1900 MST on the first Thursday of every month at the Danny Freeman Building, Prescott Rodeo Grounds, 840 Rodeo Drive in Prescott.

www.w7yrc.org

YAVAPAI AMATEUR RADIO CLUB – PO BOX 11994 – PRESCOTT AZ 86304-1994

Club Nets

Band	Mode	Frequency	PL	Night	Time
2M	FM	147.260 MHz	+103.5 Hz	Wednesday	1900 MST
2M	SSB (USB)	144.250 MHz	N/A	Wednesday	2000 MST
10M	SSB (USB)	28.440 MHz +/- QRM	N/A	Thursday	2000 MST
¾M	FM	447.650 MHz	-100.0 Hz	Saturday	0900 MST

Yavapai County ARES/RACES Nets

2M	FM	147.260 MHz	+103.5 Hz	Monday	1830 MST
2M	FM	145.290 MHz	-127.3 Hz	Monday	1900 M

Club Repeaters

2M	FM	146.880 MHz	-100.0 Hz	Open Use 24/7	Open Use 24/7
¾M	FM	447.650 MHz	-100.0 Hz	Open Use 24/7	Open Use 24/7

Submission Deadline for the Yavapai Signal

from editor Loren Singh, AE7CG

The usual deadline for submission of articles and photos to appear in the Yavapai Signal is the 18th calendar day of each month. That gives me time to edit and format submissions, and to have the newsletter available for distribution to the club membership by the 20th calendar day of each month. The aim is to have the newsletter in the hands of club members approximately 10 days or so before the holding of the general meetings on the first Thursday of each month.

ae7cg@arrl.net

Share Your Surplus Items

Bring any ham related surplus items that you no longer need to the next club meeting. There will be a table at the meeting where your items can be placed. Let your fellow club member take those things that they want. The table will be available at each monthly meeting.

Canned Food Donations

Bring your non-perishable food items to the monthly club meetings and Terry Pemberton KB7TRE will take them to the local food bank. Give your bagged items to Terry.



From the President's Desk by Bill Noe, W7PVA

Happy February everyone! This month I want to talk about participation. We have a large club with membership that floats around 300 souls. We are fortunate to have a good number of members that attend the monthly meetings. It shows that hams are a gregarious bunch.

If you are one that comes to the meetings regularly, Thank you! That gives your officers and board validation that we are doing something right! If you aren't one of those folks or you haven't been to a meeting for a while I invite you to come on down.

Are you a new ham? You need a hand or some advice? I'm sure you will be able to find both. Don't know anyone? You might have to leave your comfort zone for a bit but I assure you that you have friends just waiting to meet you.

Participation: What's to do? Well, your club has open house sessions at the Jeep Posse building near Pioneer Park. VE sessions are regularly held by your club. Board and general meetings are held every month. There are sometimes several hamfests a month in various locations. The big hamfest in Yuma Hamfest will be held February 15-16, 2019. There are also local ham radio breakfasts, lunches, and dinners.

So, yes there is lots of stuff to do. What? It's not radio? Did I neglect to mention your club's net meetings? Yep, every Wednesday, Thursday, and Saturday there are on-the-air nets where you can test your equipment and get some mic rophone time.

What? You don't have the gear, a radio that will do the job on the frequency of choice? Got that covered. Go to our club website. On the menu list across the top of the page hover your cursor on "Club" then scroll down to loaner equipment. If you click there you will get a listing of the radio gear your club has on hand for your use. You might need a hand from our Elmer Group, Jim Zimmerman N6KZ and Art Protas KG6AY, but you can get on the air. What? You don't have the required privileges? Crack the book. Upgrade. You have the resources available right from your website.

Explore your website. You might be surprised what is there. Be sure to use any new-found or old knowledge to get involved. Come to your meetings. Come to the dining get-togethers. Get on the air participating in the nets. Get to know a few more folks. I guarantee you will have a great time!

Meeting Minutes

By decision of the board of directors, minutes of the board and general meeting minutes will no longer appear in the Yavapai Signal. They are posted online at the club's website:

www.w7yrc.org → Members → Login → Reports

- |
- Board Minutes
- Club Minutes



Jim K6IYK

TREASURER'S REPORT Dec 2018	General Fund	Repeater Fund	Prescott Hamfest Fund
BEGINING CASH -Nov 30, 2018	6,611.57	3,604.69	3100.51
Dues	234.00	46.00	
Annual Party Reservations	125.00		
PHF Grand Prize ticket sales			390.00
50/50 Drawing	82.75		
Misc. < \$50	34.75	0.18	
TOTAL INCOME	476.50	46.18	390.00
Meeting Supplies – Kathy KJ6KMK	100.93		
NRA Event – Terry KB7TRE	77.14		
Misc. < \$50	16.32		
TOTAL EXPENSES	194.39	0.00	0.00
ENDING CASH – Dec 31, 2018	6,893.68	3,650.87	3490.51

* * Detailed statements are posted on www.W7YRC.org

YARC General Meeting Programs, 2019 by Joe Thomas, KG6IDN		
Month	Presenter	Subject / Details
February	Robert Reister WA6FBA	YARC Website Calendar Update
March	Tony Merriman, NOAA Flagstaff	Summer Warnings
April	Pete Morrison K6VVR	Tape Measure Yagi Antenna Build* — Fox Hunt
May	Richard Paquette W7RAP, ARRL	Section Manager's Recap
June	Terry Schultheiss KG7BAM	Radio Go-Kits, Summer Preparedness
July	Special Interest Group (SIG)	Need volunteers
August	Special Interest Group (SIG)	Need volunteers
September	Special Interest Group (SIG)	Need volunteers

***Note:** We will need a count of attendees by the time of the April general meeting. There will be a charge of \$15.00 for materials.

YARC Public Service Event

Whiskey Basin Trail Run – April 13, 2019

We are now taking sign-ups for the Whiskey Basin Trail Run. This is an 88K, 60K, 33K, and Half Marathon that goes around the Prescott Circle Trail (55 miles). This event runs for quite a while, so we are looking to have two shifts of operators at most locations, as we did last year. To staff two shifts, we need a good number of operators.

Sign Up

If you are interested in assisting with this event, please contact Frank Bender K8FB at fhb47@hotmail.com. Let Frank know your t-shirt size (sorry male sizes only) and your shift preference: Early, Later, or Either. If you are a new or inexperienced ham, our public service events are the perfect opportunity to gain operating experience in a non-intimidating environment. If you are new or inexperienced, we will team you up with someone who is experienced who can show you the ropes. At minimum, you just need a hand held VHF radio that has been programmed with the local repeaters.

February Grand Prize Raffle Ticket Drawing

We will be selling 2019 Prescott Hamfest at ERAU Grand Prize Raffle Tickets at the February 7, 2019 YARC general meeting. Anyone who purchases at least \$10 of raffle tickets will have their name entered for a drawing for 20 grand prize raffle tickets. Your name and call will be entered in the drawing for each \$10 worth of tickets that you purchase for that month. Joe Thomas KG6IDN was the winner of the ticket drawing at the January 3, 2019 general meeting.

The ticket drawing will take place after the meeting break. We are doing this ticket drawing for tickets purchased during the month prior to the meeting or at the meeting. We will be doing this each month through the May 2, 2019 YARC general meeting. Tickets are \$1 each or 12 for \$10. Go to <http://hamfest.w7yrc.org/prizes/> for a list of the grand prizes. The grand prize drawings will be held on Saturday, June 1, 2019 beginning at 1500 MST (3 p.m.) at the Prescott Hamfest at ERAU. You do not have to be present to win the grand prizes.

Upcoming License Testing

Date	City	Location	Time	Sponsor	Contact	Walk-in
03/06/19	Prescott	Jeep Posse Building	0900 MST (9 a.m.)	YARC	Don Bauer 928.775.4690	Yes

Thunderbird Hamfest: Glendale, Arizona — January 12, 2019 by Rex Mauldin, N7NGM

All I can say at this point regarding the recent ham event in Peoria is that it was great. I have not been to this event in about 20 years and unlike that time when there were only a hand-full of tables with items for sale. This time there were several rows of tables with items for sale, a demonstration of amateur satellites, ARCA booth and much more. The weather was very pleasant and there was plenty of parking. I would highly suggest coming to this event next year as I think it would be well worth the effort. At this time, I am catching up on email after being camped out in eastern Quartzsite.

I am in the town of Quartzsite at a time when many more people are showing up for shows in the area. That makes finding a suitable internet location challenging. I must also compete with travelers for space at fast food restaurants. I am also preparing myself for camping out at the next event in town, the Quartzfest — which begins right around January 20, 2019.

To sum up, I would strongly suggest making plans on attending the Thunderbird Hamfest next year if at all possible.

New Members

The following new YARC members joined at the January 3, 2019 general meeting. Please introduce yourself to them and make them feel welcome:

Charles Jasensky K7TBB

Gloria Luther KI7DJY

Tom Luther KG7DKN

For Sale

I have a Yaesu FP-1030A external power supply for sale. It is in new condition and would like to sell it cheaply to another ham. Maybe \$100.00 but price is totally negotiable. Please contact me if you know of someone who could use it.

Andrew, AG3BI — ag3bi1@gmail.com — Phone: 928.458.4759



An Ode to CW Operators

In days of old, when ops were bold, and sideband not invented;
Words were passed, by pounding brass, and all were quite contented.

Bob Heil, K9EID

Bob Heil is an American sound and radio engineer most well known for creating the template for modern rock sound systems. He founded the company Heil Sound in 1966, which went on to create unique touring sound systems for bands such as The Grateful Dead and The Who. He invented the Heil Talk Box in 1973, which was frequently used by musicians such as Peter Frampton, Joe Walsh and Richie Sambora, and is still in use today.

Heil has been an innovator in the field of amateur radio, manufacturing microphones and satellite dishes for broadcasters and live sound engineers. In the late 1980s Heil Sound became one of the first American companies to create and install Home Theaters, and Heil has lectured at major electronic conventions and taught classes at various institutions. He has won multiple awards and honors, and in 2007 he was invited to exhibit at the Rock and Roll Hall of Fame.



Club Breakfast — January 17, 2019

The YARC club breakfast was held at the BackBurner restaurant in Prescott Valley on Thursday, January 17, 2019.
The following members participated:

John Broughton WB9VGJ	Jeff Hanna WB7RFY	Mike Reid N7IEP	Tom Griswold WN7E	Frank Bender K8FB
Doug Thériault NO1D	Bob Sitterley K7POF	Loren Singh AE7CG	Bill Noe W7PVA	XXXXXXXXXXXXXXXXXX XXXXXXXXXXXXXXXXXX



January 2019 Foxhunt
by John Broughton, WB9VGJ

The monthly foxhunt was held Sunday, January 7, 2019. Jeff, WB7RFY, and I were the foxes. There were two teams for this hunt: 1) Pete K6VVR, Larry KG7TTD, and John KK6IRY; and 2) Robert WA6FBA and Bob WB6ODR.

The results of the hunt were:

Finish	Team	Time
1	WA6FBA and WB6ODR	13 min.
2	K6VVR, KG7TTD, and KK6IRY	39 min.

Due to the recent snow and rain, plus the forecast for rain and or snow the day of the hunt, Jeff chose a place to hide the transmitters that would keep the hunters away from mud and treacherous surfaces: the shopping center at the NE corner of Montezuma and Sheldon. The primary transmitter was hidden behind the gas line just above the gas meters at the back corner of the Hertz office and the secondary transmitter was placed on the railing attached to the corner column in front of the Enchanted Christmas store.

This was one of the shortest foxhunts we have ever had. The winning team took only 13 minutes to find the primary transmitter and the second place team took only 39 minutes. We thought the location of the primary transmitter might cause more difficulty in locating it due to reflections off nearby buildings. I also thought that, since the transmitter was located near the rear of a building bordering Granite Creek Park, the hunters would end up in the park looking for it. With a gate between the shopping center and the park about 30 feet or so from the transmitter, that would not have been too terrible for the hunters. However, they did not end up in the park.

KK6IRY enjoyed the hunt and said he plans on attending many more in the future. He moved here just a short time ago. Congratulations to Bob and Robert on their successful hunt. You can see pictures of the hunt here:

<https://tinyurl.com/YARCFoxhuntJanuary2019>

We had our usual after hunt socializing session at Prescott Junction restaurant. We would encourage more folks to get involved in the hidden transmitter hunts. They are really fun and help develop direction-finding skills.

Make Ham Radio a Habit

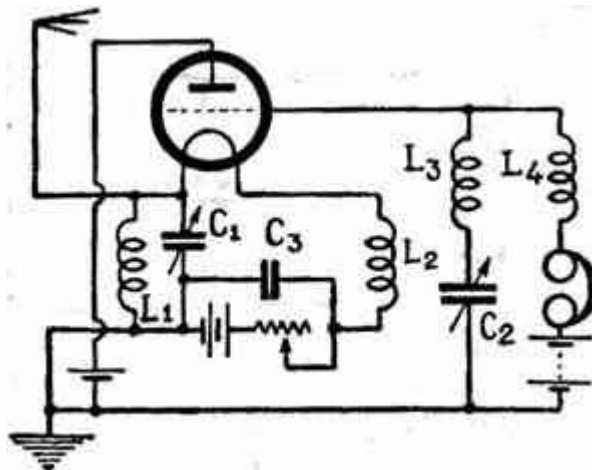
by Dan Romanchik, KB6NU

Every week, I get an email newsletter from Penguin Random House called Signature. Signature includes links to articles about books and writing. Being a writer, I clicked on the link to "5 Good Writing Habits You Need to Learn Now." As I was reading the article, it occurred to me that the advice could also apply to amateur radio. So, with apologies to the author, Lorraine Berry, here are five things you can do to make ham radio a habit:

1. To get on the air more, or to do more building, set up a time to do it. If you enjoy getting on the air or homebrewing, but never seem to be able to find the time to do it, you need to put it on your schedule. Set aside the time a couple of days, or a week, or even a month in advance, and you'll be more likely to do it. If you set up a regular time every week, pretty soon it will be a habit.
2. If ham radio is important to you, create an environment that encourages you to do ham radio. To make ham radio a habit, you really need a place that's set up to do ham radio. If you have to dig out and set up your equipment every time that you want to get on the air, you're just not going to do it. You need a "shack" that makes it easier for you to engage in the hobby. Richards, K8JHR, gave me some great advice back in 2012 on where and how to set up a shack (<https://www.kb6nu.com/building-a-new-shack/>).
3. Create temptations that reward you for your new habit of ham radio. For me, being able to make interesting contacts, or building some new gizmo, is reward enough, but you may want to reward yourself with a beer or some ice cream after an operating session.
4. Make it easy to do what you like to do. This is related to #3. Your shack should have everything you need to easily do whatever ham radio activities you enjoy doing. If you enjoy operating, then it should have a nice operating desk. If you enjoy building, then set it up so that all of your tools are readily accessible. The easier it is to do, the more likely it is that you'll do it. If you enjoy operating portable, then build up a kit that has all the stuff you need, and have it ready to go when you're ready to go.
5. Start with the Two-Minute Rule for new habits and continue from there. The "two minute rule" (<https://www.lifehack.org/articles/productivity/how-stop-procrastinating-and-stick-good-habits-using-the-2-minute-rule.html>) is a tool to help you overcome procrastination. The idea is to allot just two minutes to a task that you'd like to complete or a skill that you'd like to develop. It's a small commitment, but enough to get you started, and the idea is that once you're started on a particular task or project, continuing work on that task or project becomes a lot easier. Those two minutes could easily become a half hour or an hour once you've gotten the ball rolling.

Armed with this advice, I'm expecting you to be a more active ham in 2019. I'll be listening for you on 40M.

Dan Romanchik, KB6NU, is the author of the KB6NU amateur radio blog (KB6NU.Com), the "No Nonsense" amateur radio license study guides (KB6NU.Com/study-guides/), and one of the hosts of the No Nonsense Amateur Radio Podcast (NoNonsenseAmateurRadio.Com). His wife sometimes thinks that amateur radio has become too much of a habit for him.



Mt. Union Repeater Inter-modulation Noise

The Mt. Union ARES/RACES repeater, **147.260 MHz [103.5 Hz (+) PL]** has been having inter-modulation noise problems. At his discretion, control operator Bud N7CW has turned the repeater "Off".

If you try to access the repeater and do not get a response, please go to the Mt. Francis repeater, **145.370 MHz [127.3 Hz (-) PL]**, and try there.

W7YRC 2M FM Net — 147.260 MHz [+103.5 Hz] or 145.370 MHz [-127.3 Hz] — Wed., 1900 MST (7 p.m.)

Notes:

NCS = Net Control Station / v = VVARA@ERAU / skcc = K3Y/7 CW

Call	Name	01/02/19	01/09/19	01/16/19
AE7CG	Loren	NCS	NCS	NCS
K6VVR	Pete	x	x	x
KA5DWI	Art	x	x	skcc
KF7ANX	Frank		x	
KF7FPD	Jerry	x	x	x
KF7PQV	Dan	x	x	x
KG6AY	Art			x
W7HAM	Ralph	x	x	x
WA6AQK	Ken	x	x	v
WN7E	Tom	x	x	x
KG7EWD	Patrick	x	x	
WA6FBA	Robert	x	x	
NO1D	Doug		x	v
KI7LXI	Sheila		x	v
KI7LWU	Tim		x	
KI7LWZ	Mike	x	x	
K7LMJ	Mike			v
W7PVA	Bill	x		x
KJ7WED	Bob	x	x	
N7IEP	Mike	x		x
KK6PTO	John		x	
KI7HWZ	Bob			x



The DX Store

No BS. Just good old fashioned customer service.

Heil PRO7 Simply The Best

Black

Red



Pink

Blue

Available in Four Colors

sales@dxstore.com
www.dxstore.com

Breakfast and Lunch Gatherings

There are a number of lunch and breakfast gatherings in the area that are open to all radio amateurs and interested persons. Please let us know of any updates or corrections at info@w7yrc.org.

Third Thursday of the Month – **YARC** holds an informal **breakfast** gathering at the **BackBurner** Restaurant at 0800 MST. The restaurant is at 8400 Long Mesa Drive in Prescott Valley. Contact Don Bauer WB7TPH or Jeff Hanna WB7RFY.

Second Tuesday of the Month – **Quarter Century Wireless Association (QCWA) brunch** gathering, 1030 MST to 1230 MST at the **Golden Corral** Restaurant in Frontier Village in Prescott, off Highway 69. You do not have to be a QCWA member to attend.

Every Monday – **Dan Nichols (W6SAK SK) Memorial Lunch**, 1100 MST to 1230 MST at **roving locations**. Contact Bob Rosevear WB7RRQ, 928-458-7830, rosevear520@cableone.net; or Bob Smith WB6ODR, 928-443-9321, lrsmith@cableone.net for the next location.

Every Wednesday – **Breakfast** at 0700 MST at the **Manzanita Grill** at the Antelope Hills Golf Course, near the Prescott airport.

Yavapai Amateur Radio Club — W7YRC Club Station Access List — Effective December 22, 2018

Permanent Station Access (defined by YARC role) —

Name:	Call:	Lic. Class	Notes:	Telephone:
Billi Noe	W7PVA	E	YARC President	710.6925 – Do not contact for access
Frank Bender	K8FB	E	Station Manager	379.5575 – OK to contact for access
Pete Morrison	K6VVR	E	W7YRC Trustee	899.8555 - Do not contact for access
Bud Semon	N7CW	E	ARES/RACES Dir.	899.7400 - Do not contact for access
Jim Zimmerman	N6KZ	E	Elmer Group	713.0542 - OK to contact for access
Art Protas	KG6AY	E	Elmer Group	227.2954 - OK to contact for access

Building Access for Other Reasons (includes station access) —

Donald Bauer	WB7TPH	E	VE Chair	775.4690 - Do not contact for access
Brian Vlastelich	K7TSY	E	License Classes	583.7572 - Do not contact for access
Kathy Laing	KJ6KMK	E	Practice Exams	778.2526 - Do not contact for access

**YARC / YCJP Dual Access (members of both organizations)
Limited to those who are members of YARC and YCJP, already having building access —**

Randy Dashiell	W6TYV	G	Dual Member	602.501.2571 - OK to contact for access
----------------	-------	---	-------------	---

**Rotating Access (changes every July 1st)
This category is limited and consists of volunteer members —**

Rex Mauldin	N7NGM	E	Rotating Member	277.7164 - OK to contact for access
Mike Bélanger	W1DGL	E	Rotating Member	420.0498 - OK to contact for access
Rob Redford	KG7LMI	G	Rotating Member	623.252.3980 - OK to contact for access
Tony Jackson	K6PSR	G	Rotating Member	562.644.0528 - OK to contact for access
David Hanson	W7BJ	E	Rotating Member	602.615.3444 - OK to contact for access

**Note to YARC Members —
For station access, first try to contact the Rotating Access members.
If you are not able to contact the Rotating Access members, then try to contact the other “OK to contact for access” members.**



Club Officers, 2019			
Officer	Name	Call Sign	Email Address
President	Bill Noe	W7PVA	w7pva@arrl.net
Vice President	Joseph Thomas	KG6IDN	vice.president@w7yrc.org
Treasurer	Jim Fortney	K6IYK	k6iyk@k6iyk.net
Secretary	Art Jackson	KA5DWI	secretary@w7yrc.org
Director	Dave Erlach	W7V SX	rocketdog@dslextr eme
Director	Ray Kolman	KI7COM	spudzman@gmail.com
Director	Sandy Meadowcroft	KF4JHC	sandymeado2@yahoo.com
Director	Kathy Laing	KJ6KMK	kj6kmk.yarc@gmail.com
Editor Emeritus	Joseph Oliver	AC6AA	joliver@cabl eone.net
Editor	Loren Singh	AE7CG	ae7cg@arrl.net
Webmaster	Randy Dashiell	W6TYV	webmaster@w7yrc.org



Pete Morrison K6VVR (thumb up), Jerry Lawson KF7FPD (black hat), and Terry Pemberton KB7TRE (seated) operating special event station K7NRA at K7GST in Paulden, Arizona on November 17, 2018
 (Photo courtesy of John Broughton WB9VGJ)